

# DJ6 | Double Acting Hydra Mechanical Jar

The DJ6 drilling jar remains one of the toughest and most durable drilling jars in the industry. The two way action of the jar gives the operator the ability to work the jar both upwards and downwards. This particular jar operates mechanically downward and hydraulically upward. The mechanical latch assures that the jar will not accidentally fire while tripping or making connections

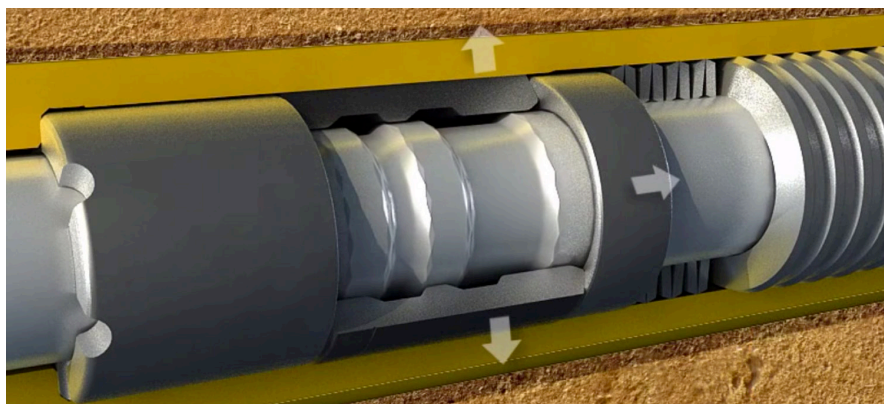
## English Units

OD (in.)	ID (in.)	Length (ft.)	Weight (lb.)	Latch Setting Range (lb.)	Maximum Pull for Firing (lb.)	Maximum Pull after Firing (lb.)	Pump Open Area (in. <sup>2</sup> )	Maximum Torque (ft.-lb.)
3 1/2	1 1/8	19	400	0-36,000*	54,000	195,000	4.9	5,000
4 3/4	2 1/4	18	800	0-45,000*	84,000	380,000	11.0	17,000
6 1/2	2 1/2	18	1,300	0-110,000*	156,000	685,000	16.8	40,000
6 3/4	2 5/8	18	1,430	0-110,000*	179,000	625,000	18.7	40,000
8	2 13/16	20	2,040	0-130,000*	291,000	1,150,000	28.2	68,000
9	2 13/16	22	2,660	0-145,000*	361,000	1,500,000	33.2	121,000
9 1/2	2 13/16	20	3,150	0-145,000*	361,000	1,500,000	33.2	141,000

## SI Units

OD (mm)	ID (mm)	Length (m)	Weight (kg)	Latch Setting Range (daN)	Maximum Pull for Firing (daN)	Maximum Pull after Firing (daN)	Pump Open Area (cm <sup>2</sup> )	Maximum Torque (Nm)
89	29	5.8	180	0-16,000*	24,200	89,000	17.8	6,700
121	57	5.5	360	0-20,000*	37,400	169,000	71.0	23,000
165	66	5.5	590	0-50,000*	69,400	311,400	108.4	54,250
171	66	5.5	650	0-50,000*	79,400	311,400	120	58,300
203	71	6.1	925	0-60,000*	129,400	511,550	181.9	92,200
229	71	6.7	1210	0-65,000*	160,600	667,200	214.2	164,000
241	71	6.1	1430	0-65,000*	160,600	667,200	214.2	191,000

\*Down lock loads will typically be 60-70% of the up value



Cougar Drilling jars utilize an internal latching mechanism to prevent mis-firing and eliminate the need for external safety clamps.



**COUGAR**  
DRILLING SOLUTIONS

RELIABLE. CAPABLE. CONSISTENT.

# DJ10 | Double Acting Hydra-Mechanical Jar

The DJ10 drilling jar remains one of the toughest and most durable drilling jars in the industry. The two way action of the jar gives the operator the ability to work the jar both upwards and downwards. This particular jar operates hydraulically both downward and upward. The mechanical latch assures that the jar will not accidentally fire while tripping or making connections

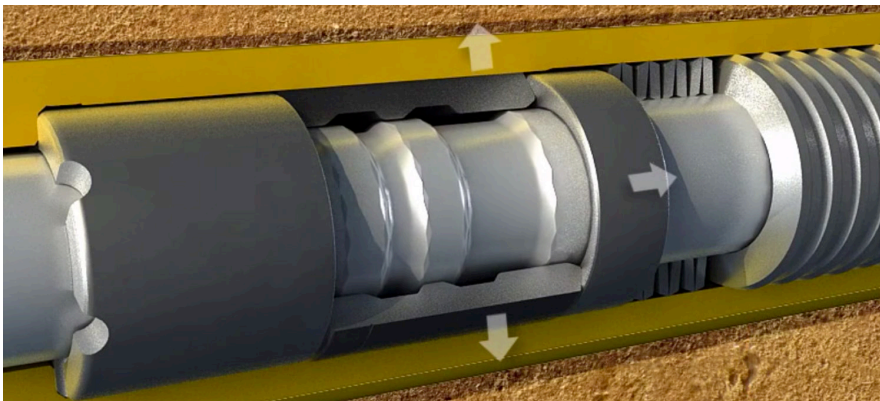
## English Units

OD (in.)	ID (in.)	Length (ft.)	Weight (lb.)	Latch Setting Range (lb.)	Maximum Pull for Firing (lb.)	Maximum Pull after Firing (lb.)	Pump Open Area (in. <sup>2</sup> )	Maximum Torque (ft.-lb.)
4 3/4	2 1/4	18	750	0-45,000*	84,000	380,000	11.0	17,000
6 1/2	2 1/2	18	1,500	0-110,000*	156,000	685,000	17.0	40,000
8	2 13/16	20	2,200	0-130,000*	291,000	1,150,000	28.0	68,000

## SI Units

OD (mm)	ID (mm)	Length (m)	Weight (kg)	Latch Setting Range (daN)	Maximum Pull for Firing (daN)	Maximum Pull after Firing (daN)	Pump Open Area (cm <sup>2</sup> )	Maximum Torque (Nm)
121	57	5.6	340	0-20,000*	37,000	169,000	71.0	23,000
165	63	5.6	680	0-50,000*	71,000	304,000	108.0	54,000
203	71	5.9	1,100	0-60,000*	129,000	512,000	182.0	92,000

\*Down lock loads will typically be 60-70% of the up value



Cougar Drilling jars utilize an internal latching mechanism to prevent mis-firing and eliminate the need for external safety clamps.



**COUGAR**  
DRILLING SOLUTIONS

RELIABLE. CAPABLE. CONSISTENT.